

Solaira SMRTTIM60 Timer Controller

Installation & User Manual, 6kW

Issue 2

Feb-16

SAFETY WARNING!

- **ALL INSTALLATIONS/SERVICE MUST BE PERFORMED BY A LICENCED/CERTIFIED ELECTRICIAN**
 - **KEEP THESE INSTRUCTIONS FOR FUTURE REFERENCE**
-

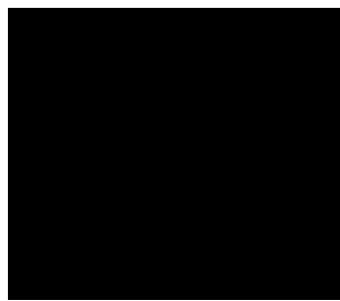
SHOCK AND FIRE HAZARD:

- Serious injury or death could occur.
- Disconnect ALL power sources before removing cover. Power should only be re-connected after electrical installations are complete and cover replaced.
- Be certain the power source conforms to specifications outlined on heater label.
- Assure to connect green wire from heater to ground connection from electrical supply, not to a live or “hot” conductor.
- Follow state, provincial, local and national electric codes (NEC) including field certifications
- Do not use locations containing hazardous or explosive atmospheres.

ELECTRICAL RATING:

- 208-240VAC 50/60Hz

**WARNING SERIOUS INJURY OR DEATH COULD OCCUR,
DISCONNECT ALL POWER PRIOR TO SERVICE**



SPE-1000 Certified

Solaira SMRTTIM60 Timer Controller

Installation & User Manual, 6kW

Issue 2

Feb-16

Introduction

The SMRTTIM60-6kW is part of a family of controllers designed to provide energy saving when used with quartz infrared halogen lamps or other heating and lighting products. The 'T' model switches the lamps on for a predetermined time period of between 1 and 60 minutes. The microcontroller-based unit incorporates zero-voltage switching and a soft-start function to eliminate the lamps' initial high inrush current – potentially increasing lamp life by as much as 30%. Installation of the unit is simple and once installed is relatively maintenance-free.

Product Features

- Energy saving – provides heat for a pre-determined time period.
- Extends lamp Life.
- Control up to 4 x 1500W lamps.
- Soft-start/zero-voltage switch-off.
- Low-cost.
- Easy to install.

Applications: patio areas, smoking shelters, restaurants, warehouses, workshops and garden Lighting.

Installation

Important: Read carefully the following information before installing the unit.

The SMRTTIM60-6kW should be fixed securely using the four mounting holes accessible from the front of the unit. Remove the lid to access the mounting holes. To ease installation, a mounting template is provided opposite to locate the 4 mounting hole centres.

IMPORTANT! The unit must be orientated with the cable glands facing down.

Technical Specification

| | |
|--|------------------------------------|
| Supply Voltage | 230VAC +/- 10% 50/60 Hz |
| Switching Capacity | 6kW Max. |
| Lamp On-Time | 1 to 60 minutes |
| Current Consumption (control circuit) | 20mA |
| Terminals | 6.0mm ² Rising Clamp |
| Operating Temperature | -20 to 40°C |
| Protection Rating | IP65 |
| Gland Diameter | Max Cable Entry 2.5mm ² |
| Enclosure Dimensions (WxLxH) | 130x130x75 (mm) |

Solaira SMRTTIM60 Timer Controller

Installation & User Manual, 6kW

Issue 2

Feb-16

Wiring

SAFETY FIRST

The Solaira SMaRT Timer is a high power electrical device and **MUST ONLY BE INSTALLED BY A CERTIFIED ELECTRICIAN TO LOCAL AND NATIONAL ELECTRICAL CODE.**

Warning! Isolate the mains supply before commencing any work on this unit. Ensure all earth wires are connected to maintain earth continuity to the lamp fittings.

Warning! Isolate the mains supply before commencing any work on the unit. Failure to do so could result in serious injury or fatality.

The unit is fitted with three cable glands. Only one cable should be fitted per gland to prevent degrading the unit's IP rating. To connect 4 lamps, refer to the 'Wiring Diagram' on the next page for an alternative configuration using two junction boxes.

The mains supply connects to the terminal block marked '**LINE**'. Connect the supply **LIVE** to the '**L**' terminal, **NEUTRAL** to the '**N**' terminal and **EARTH** to the '**E**' terminal.

The lamps connect to the terminal block marked '**LOAD**'. Connect the load **LIVE** to the '**L**' terminal, **NEUTRAL** to the '**N**' terminal and **EARTH** to the '**E**' terminal.

Important! Ensure all earth wires are connected to maintain earth continuity to the lamp fittings.

Check all wiring and make sure the cable glands are tightened.

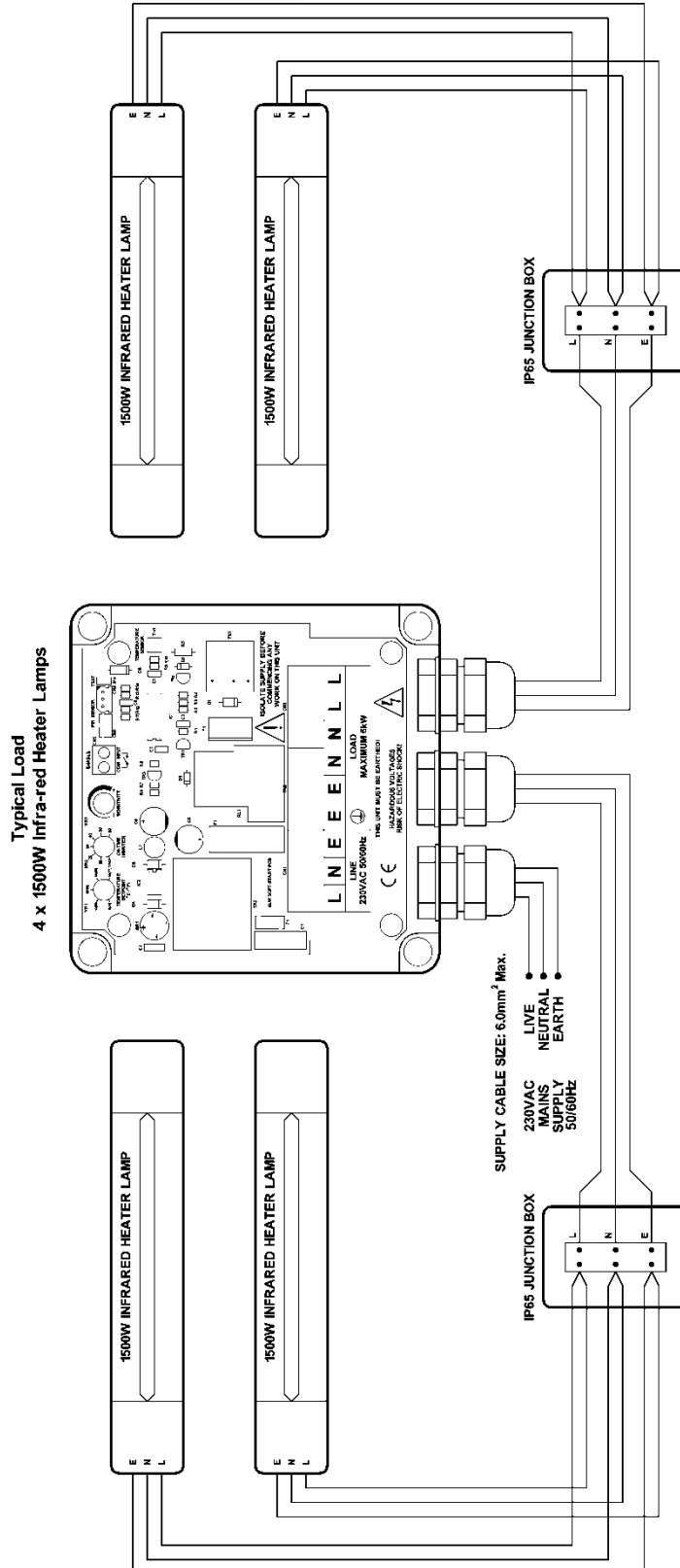
Solaira SMRTTIM60 Timer Controller

Installation & User Manual, 6kW

Issue 2

Feb-16

Wiring Diagram



Solaira SMRTTIM60 Timer Controller

Installation & User Manual, 6kW

Issue 2

Feb-16

Commissioning

Set the on-time preset (VR2) to a time period of between 1 and 60 minutes (see 'Mounting Template' to locate VR2). Replace the lid and switch on the mains supply to the unit. Press the push-button on the front of the unit to switch the lamps on.

Troubleshooting

Warning! Isolate the mains supply before commencing any work on the unit. Failure to do so could result in serious injury or fatality.

Problem: Lamps do not switch on.

Solution:

- Check the mains supply to the unit is switched on.
- Check the LINE and LOAD wiring connections to the unit and lamps. Fit a lamp that you know is in working order.
- Contact your supplier.

Problem: Lamps do not switch off.

Solution:

- Check the on-time preset (VR2) is set correctly.
- Contact your supplier.
-

Solaira SMRTTIM60 Timer Controller

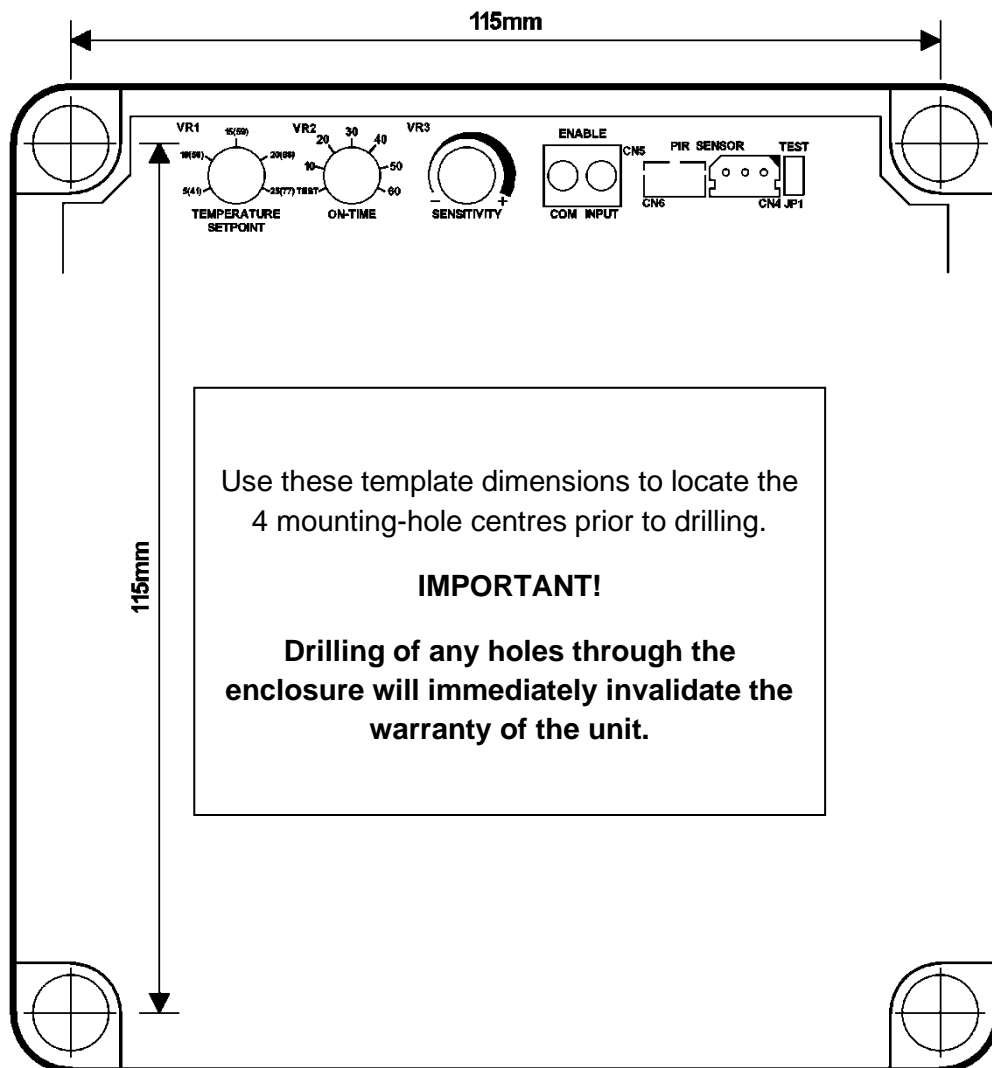
Installation & User Manual, 6kW

Issue 2

Feb-16

Mounting template

IMPORTANT! When wall mounting, the unit must be orientated with the cable glands facing down.



Solaira SMRTTIM60 Timer Controller

Installation & User Manual, 6kW

Issue 2

Feb-16

Warranty and Liability

LIMITATION OF LIABILITY

It is understood and agreed that seller's liability whether in contract, in tort, under any warranty, in negligence or otherwise shall not exceed the return of the amount of the purchase price paid by purchaser and under no circumstances shall seller be liable for special, indirect or consequential damages. The price stated for the equipment is a consideration in limiting seller's liability. No action, regardless of form, arising out of the transactions may be brought by purchaser more than one year after the cause of action has accrued.

WARRANTY

1. SOLAIRA CONTROL products are guaranteed to be free from mechanical and electrical defects for a period of one year from date of shipment under normal use and service provided installation is made in accordance with manufacturers' recommendations.
 2. Parts deemed defective shall be repaired or replaced at manufacturers option and at manufacturers expense but shall not include foreign or federal excise taxes, state or municipal sale or use taxes, all such taxes not limited to the foregoing being responsibility of the purchaser.
 3. No charge for travel and/or mileage will be allowed to purchaser.
 4. SOLAIRA reserves the right to make changes in design or make any improvements on any products. The right is always reserved to modify our equipment because of new technology, underwriter's requirements and/or government regulations.
 5. The following are not covered under warranty:
 - a. INSTALLATION OF CONTROL BY NON-CERTIFIED ELECTRICIAN.
 - b. Failure from neglect, abuse, careless handling and mis-application of unit.
 - c. Failure to observe guidelines for installation or improper voltage hook-up.
 - d. Failure caused by improper installation and not following local, state/provincial and federal electrical guidelines
 - e. Unless specifically allowed by SOLAIRA CONTROLS, no other charges may be included under warranty.
- Solairatm is a registered trademark of Inforesight Consumer Products Inc.
125 Traders Blvd. # 4, Mississauga, Ontario, Canada, M4Z 2H3
Tel: 905-568-7655, EXT 23 SERVIC, Fax:905-568-7521
-